

2-Year Warranty

Our KEKS Team is available to assist you with any technical questions regarding KEKS products. Please contact us by email or through the form on our website. For servicing or repair, our team will provide instructions on how to send the equipment to our service centre.

Website: www.kekscameras.com
Email: kekslens@gmail.com

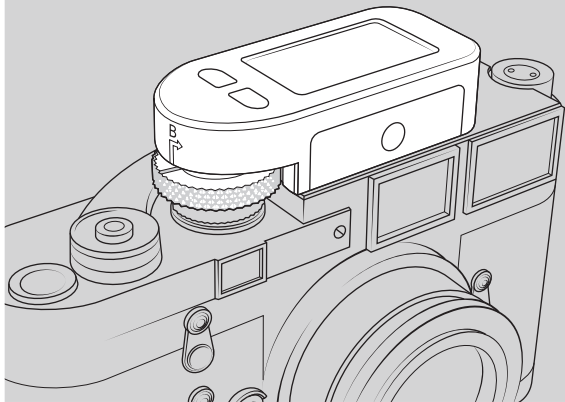
KEKS

KEKS Camera & Accessories

Rm 56, 9/F Bonsun Industrial Building,
364 Sha Tsui Rd., Tsuen Wan, Hong Kong

kekscameras.com

KEKS M-Meter User Guide



Index

Index / Specifications	1
Components	2
How to Install	3
Settings / Compensation	4
Calibrate Shutter Speed	5
Inside Settings	6

Specifications

Model: M-Meter	
Battery: Rechargeable 220mAh	
Product Dimensions: 70mm x 31.3mm x 17.3mm	
Screen Size: 1.3-inch OLED Screen	
Compatible Models: M1, M2, M3, M4, M4-2, M4-P, MD, MD2, MA	
Exposure Mode: Shutter Priority	
Exposure Compensation Range: -3 to +3 (1/3)	
Aperture Stops: Full, Halves, Thirds	
Aperture Values: F/1.0 - F/128	Shutter Stops: Full
ISO Stops: Full, Halves, Thirds	Shutter Speed: 30s - 1/1000s
ISO Values: 6 - 3200	EV Range: 1 - 20

Aperture		Aperture Stops						
Full	1.0	1.4	2.0	2.8	4.0	5.6	8	11
	16	22	32	45	64	90	128	
Halves	1.0	1.2	1.4	1.7	2.0	2.4	2.8	4.0
	4.8	5.6	6.7	8	10	11	14	16
	19	22	27	32	38	45	54	64
Thirds	76	90	107	128				
	1.0	1.2	1.4	1.6	1.8	2.0	2.2	2.5
	2.8	3.2	3.5	4.0	4.5	5.0	5.6	6.3
	7.1	8	9	10	11	13	14	16
	18	20	22	25	28	32	36	40
	45	51	57	64	72	81	90	100
	115	128						

Aperture		Max Aperture						
1.0	1.4	1.8	2.0	2.8	4.0	5.6	8	

Aperture		Min Aperture						
16	22	32	45	64	90	128		

Display		Brightness			
25%	50%	75%	100%	AUTO	

Display		Rest Time						
30s	45s	60s	120s	180s	240s	300s	OFF	

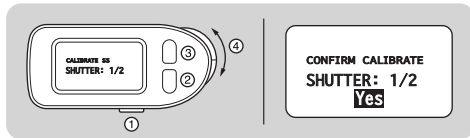
ISO		ISO Stops										Reset		
Full	6	12	25	50	100	200	400	800	1600	3200	Reset Aperture			
Halves	6	9	12	18	25	35	50	70	100	140	Reset All			
	200	280	400	560	800	1100	1600	2200	3200		Calibrate SS			
Thirds	6	8	10	12	16	20	25	32	40	50				
	64	80	100	125	160	200	250	320	400	500				
	640	800	1000	1250	1600	2000	2500	3200						

★ For quick ISO setting, see page 4.

Reset

Calibrate SS (Shutter Speed)

If the shutter speed reading on the light meter does not match the shutter speed on your camera, you can calibrate it through the setting menu (RESET ▶ CALIBRATE SS)

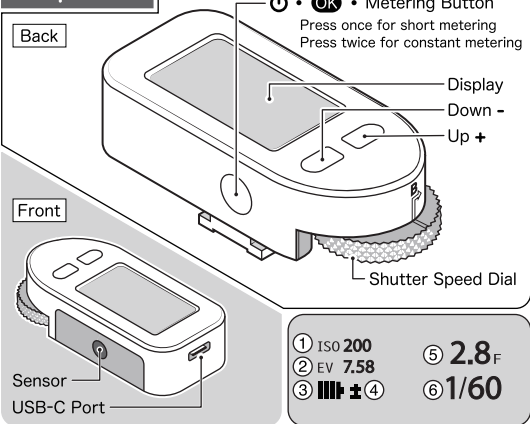


Press ③ or ② to select the shutter speed on the M-Meter.
Turn ④ to match the shutter speed on the camera.
Press ① to confirm.

- Apply the same process to the other shutter speeds.
- To save the settings, go to the last page (after 1/1000) and press ① to confirm.



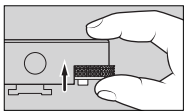
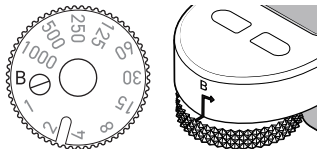
Components



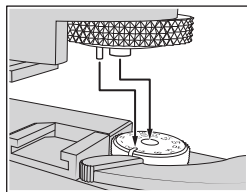
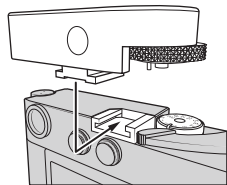
- ① ISO Value
(For ISO setting, see page 4.)
- ② Exposure Value
- ③ Battery Indicator
- ④ Displayed when compensation is set.
- ⑤ Aperture. "--" appears when exposure is out of range.
- ⑥ Shutter Speed

How to Install

Set the camera's shutter speed dial and the M-Meter's dial to "B".

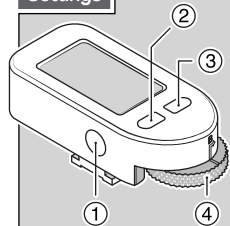


Lift the shutter speed dial and, while holding it up, attach it to the camera's shoe mount. Make sure the ridges on the M-Meter fit into the slots on the camera.



3

Settings



• Hold ① and ② to open Settings.

• Press ① to confirm.

• Turn ④ to go back.

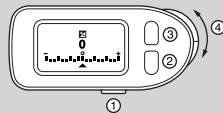
★ Set ISO from the home screen:

• Press ③ to increase the ISO.

• Press ② to decrease the ISO.

Compensation

Range: -3 to +3 (1/3)



Press ③ to increase the value.

Press ② to decrease the value.

Press ① to confirm the value.

Turn ④ to return HOME.

ISO 200
EV 7.58
III ±
2.8_F
1/60

When exposure compensation is set, "±" appears on the home screen.

4